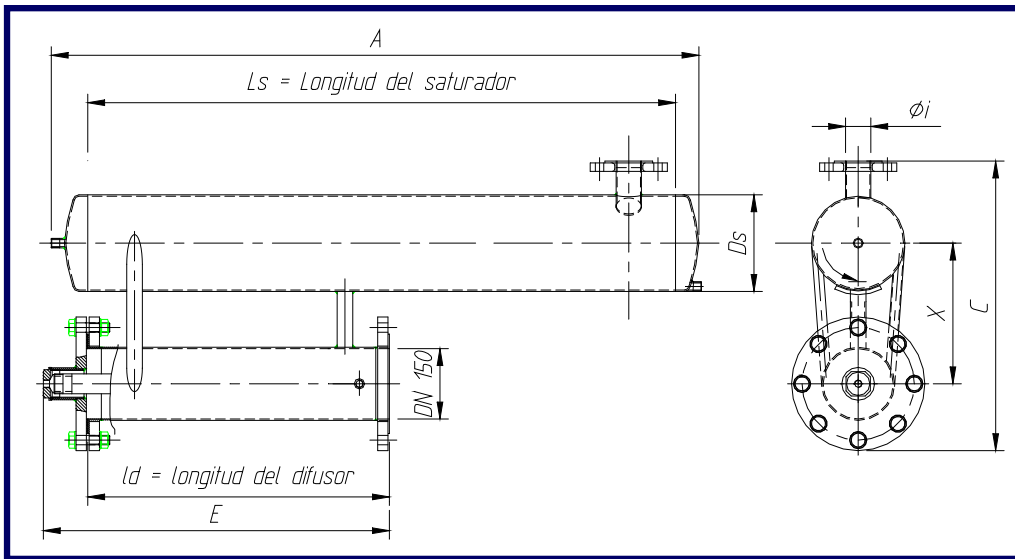


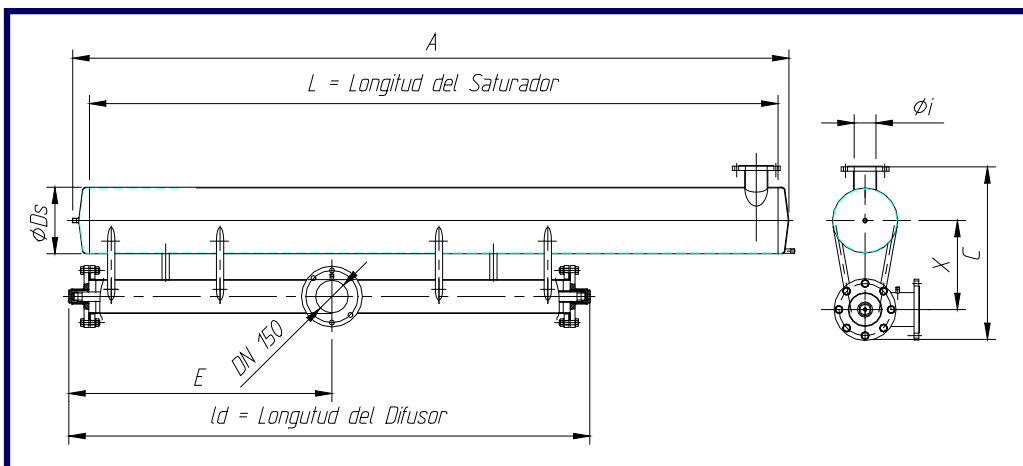
ASR PRESSURISATION REACTOR

TECHNICAL INFORMATION

ASR 200/05 - 300/05 - 300/10



ASR 300/20 - 400/20 - 400/40



ASR			SATURATOR			DIFFUSER	GENERAL DIMENSIONS				
Model	Qr=m ³ /h		Ds	Ls		Kl	Mm				
	Min	Max		Min	Max		A	C	E	I	x
200/05	5	25	200	530	2650	647	Ls+118	615	740	50	300
300/05	30	40	300	1400	1900	647	Ls+118	750	740	100	350
300/10	45	85	300	2124	4000	1147	Ls+138	750	1240	100	350
300/20	9	130	300	4245	6135	2400	Ls+138	795	1210	100	410
400/20	140	175	400	3715	4650	2400	Ls+150	900	1210	150	460
400/40	200	260	400	5300	6900	2400	Ls+150	900	1210	150	460

The clarified water from the floater is partially injected into the DIFFUSER through one or more porous tubes at 6 bar pressure. On the other hand, a determined air flow is injected into the same cylinder, but at 7 bar. The difference in pressure makes the air diffuse in the water. The solution is in the SATURATOR, where after a turbulent mixture and stay time, the water is saturated with dissolved air at up to 90%.

