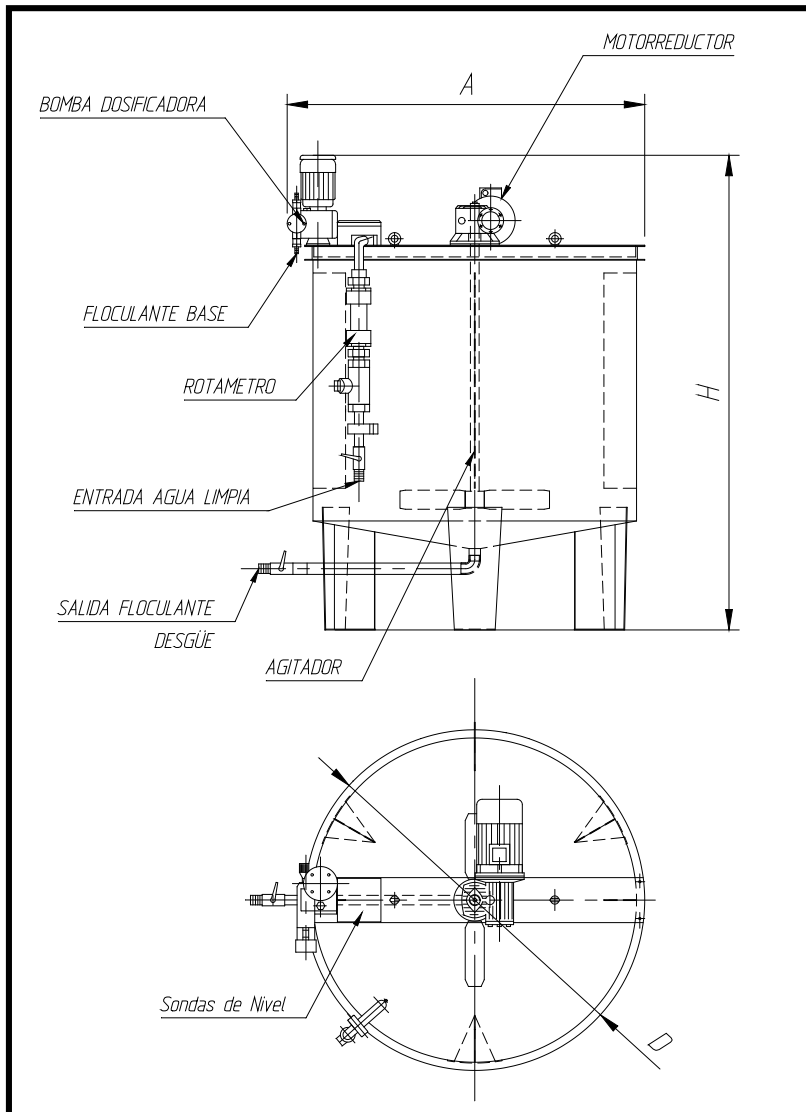


# ***CHEMICAL PREPARATION AGENTS***

## ***TECHNICAL INFORMATION***



<b><i>PQ</i></b>	<b><i>3000</i></b>	<b><i>1500</i></b>	<b><i>1000</i></b>	<b><i>500</i></b>
<b><i>A</i></b>	1585	1585	1325	1185
<b><i>D</i></b>	1520	1520	1250	1050
<b><i>H</i></b>	2580	1750	1750	1500
<b><i>V (m Ø)</i></b>	3	1,5	1	0,5
<b><i>P.Inst. (kW)</i></b>	2,45	2,45	1,87	1,00
<b><i>Peso (kg.)</i></b>	358	288	240	185

***OTRAS MEDIDAS BAJO CONSULTA***

We put clean water into the tank through the feeder rotameter and a solenoid valve, which is normally closed.

With a dosing pump, we add the amount of flocculant, so the mix (appropriate for each application) is stirred with a blade inside the tank.

Maximum and minimum level probes are in charge of guaranteeing that the tank is never empty or overflowing, so when it detects the set minimum, the solenoid valve for clean water opens, and the dosing pump for concentrated flocculant starts up. When the tank's maximum level is detected, the manoeuvre stops.

