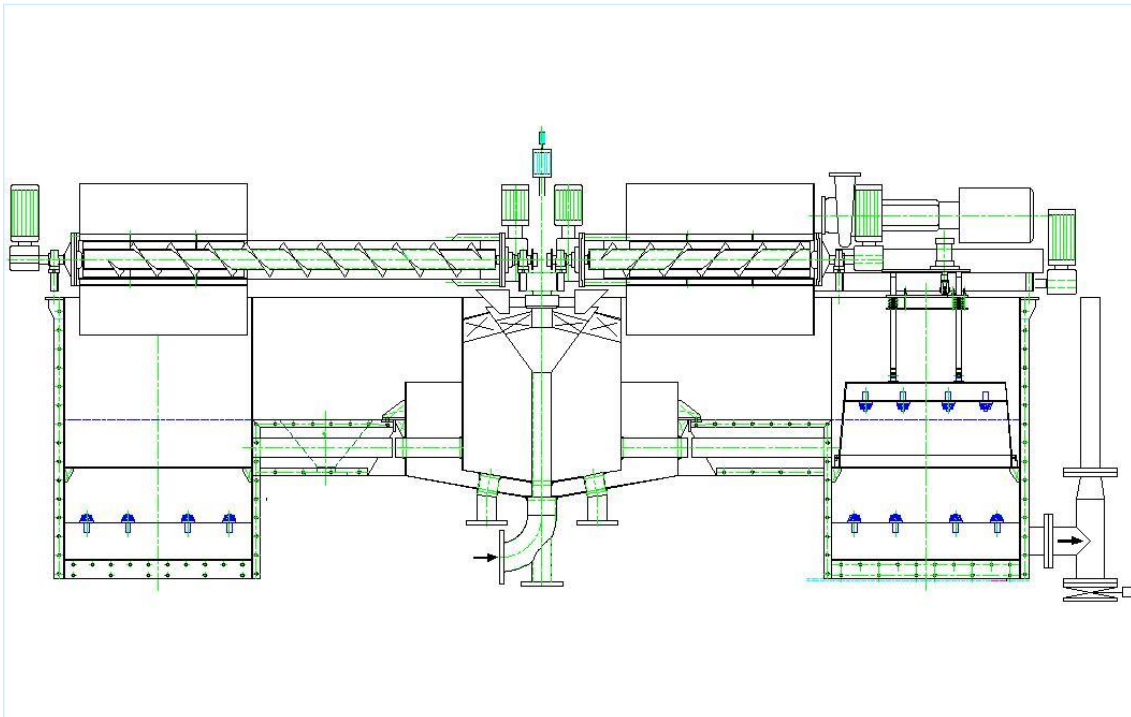


CLEARFLOAT

TECHNICAL INFORMATION



	Diameter DAF+filter	Diameter DAF mm	Height mm	Volume flow M3	Pow. Collector Kw	Pow. Cart Kw	Pow. Conveyor Kw	Pow.filter Collector Kw	Pow. Filter cart Kw
From	2200	1600	1875	12	0.25	0.25	0.25	0.25	0.25
To	25000	17925	3120	1875	3	3	3	3	3

The floater-Filter is a compact new system whose aim is to offer two applications in one same installation, directly related to water treatment. The first is a DAF clarification system: this technology is extracted from ISOFLOAT, whose effectiveness has been broadly proven on the market.

The second, based on a filtration system, eliminates the few solids that may have escaped flotation. Results guarantee effluent with content lower than 10 ppm. It has a built-in backwash system, where filtration is not interrupted, so the effluent's flow is constant. It uses the filtered water as cleaning water.

